

Jazz



Design by Diego Fortunato.

Featuring an undulating, fluid form, Jazz's smooth silhouette exudes a striking, organic feel. The gently curved design imparts a playful presence in an interior, like an oversized chess piece standing guard.



Featuring an undulating, fluid form, Jazz's smooth silhouette exudes a striking organic feel. Crafted with a polyurethane body and a glass diffuser, the floor lamp offers an ambient light. The gently tapered silhouette recalls a sculptural vase, serving as a piece of décor to accent a space.

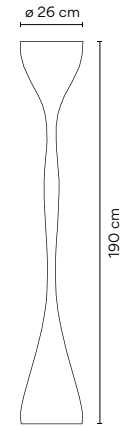
- 10 White (NCS S 0300-N)
- 25 Beige D1 (NCS S 4005-Y50R)
- 45 Blue D1 (NCS S 7010-B10G)

Body: Polyurethane.
Diffuser: Glass.
Reflector: Aluminum.

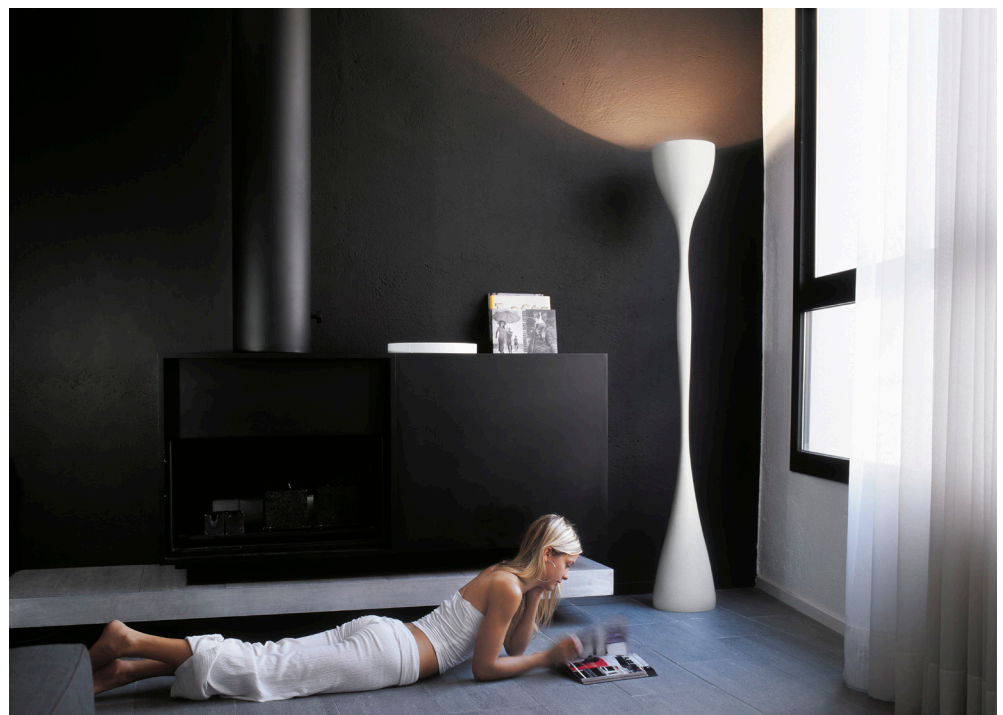
Halogen bulb.
Dimmer on the cable.
Dimming TRIAC.

Personalization options available

- Finish customization
(Available options: Vibia color palette)
Request more information.



1330



Pg 130

Pg 190

Pg 240



Jazz



Design by Diego Fortunato.

Featuring an undulating, fluid form, Jazz's smooth silhouette exudes a striking, organic feel. The table lamp's gently tapered silhouette recalls a sculptural vase, serving as a piece to accent a space.



Featuring an undulating, fluid form, Jazz's smooth silhouette exudes a striking organic feel. Crafted with an aluminum shade and an optical glass diffuser, the table lamp offers an ambient light. The gently tapered silhouette recalls a sculptural vase, serving as a piece to accent a space.

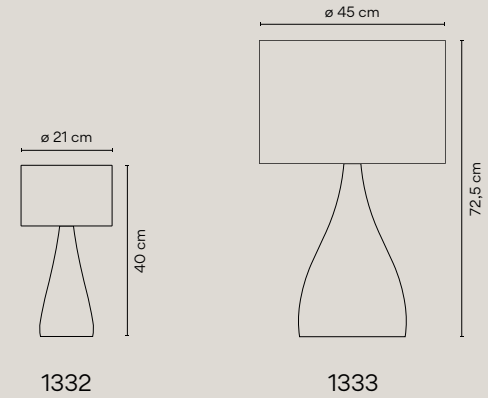
- 10 White (NCS S 0300-N)
- 25 Beige D1 (NCS S 4005-Y50R)
- 45 Blue D1 (NCS S 7010-B10G)

Shade: Aluminum.
Diffuser: Optical-glass.
Body: Polyurethane.

On/off switch on the cable.
Led bulb or compact fluorescent.

Personalization options available

- Finish customization
(Available options: Vibia color palette)
Request more information.



Pg 130

Pg 190

Pg 240

